

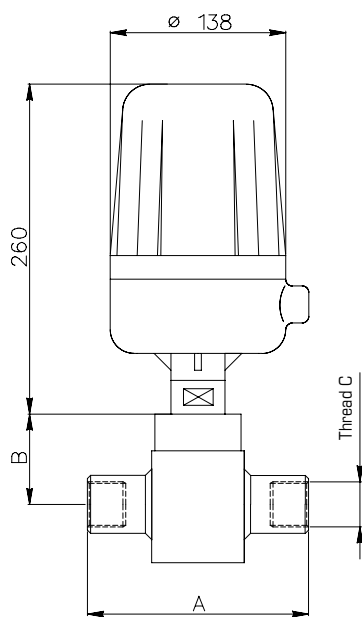


Flowswitches type CF

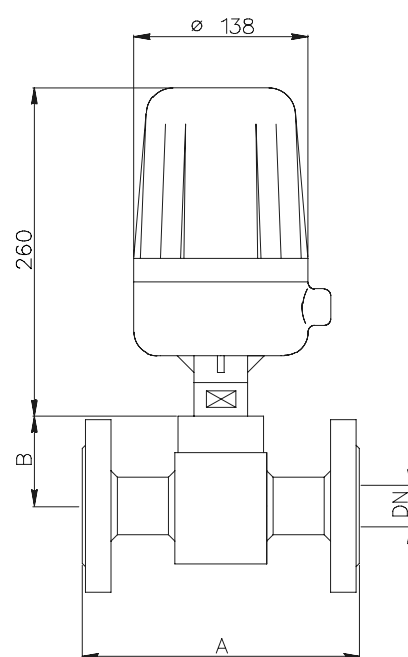
The flowswitches type CF are valve body switches for minimum or maximum range alarm with one intervention point. They are suitable for all applications where there are working pressures up to 64 bar and temperatures up to 250° C. and they have to be mounted on horizontal pipelines. They can be constructed with threaded, flanged

or welding connections, with carbon steel or stainless steel body. The electric part is contained in a weatherproof case made of diecasted aluminium with IP 65 protection (standard type) or in a flameproof case following EN 50.018 (CEI 31.1) - EEx-d IIB T6 or EEx-d IIC T6 (request type) with threaded electric connection 1/2" UNI

6125 F. The flowswitches type CF are supplied complete with switch groups on which only one SPDT contact is mounted. On request they can be supplied with two contacts in parallel.



Threaded connections



Flanged connections



BODY	Standard MAX. TEMPERATURE	MAX. TEMPERATURE with cooling fin
Carbon steel	120° C.	250° C.
S/S AISI 304	120° C.	250° C.
S/S AISI 316	120° C.	250° C.

TYPE	A		B	C		FLANGE DN		H ₂ O m ³ /h max. flow
	FLANGED	THREADED		GAS	NPT	PN16 - UNI 2223	ANSI B16.5 - 150 LB	
CF 15	180	142	55	1/2"	1/2"	15	1/2"	1
CF 20	180	142	55	3/4"	3/4"	20	3/4"	1
CF 25	180	142	55	1"	1"	25	1"	1
CF 32	180	142	55	1" 1/4	1" 1/4	32	1" 1/4	1
CF 40	210	180	75	1" 1/2	1" 1/2	40	1" 1/2	2,7
CF 50	210	180	75	2"	2"	50	2"	2,7