

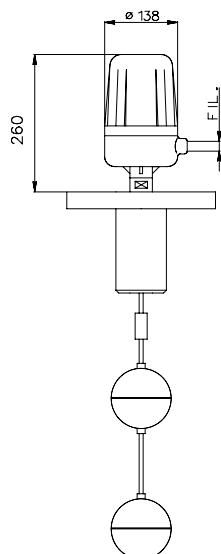


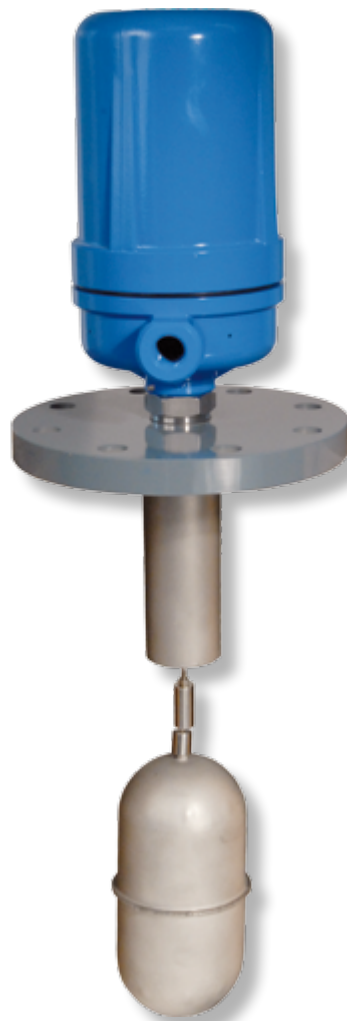
Level switches type IL 4

The level switches type IL 4 are hydrostatic thrust regulators for head mounting with one or two switch groups controlled by one, two or three displacers. They are suitable for all the applications where there are working pressures up to 64 bar, temperatures up to 250° C. and fluids with a minimum specific gravity of 0.7 Kg/dm³. Their working principle is based on the movement of the switch caused by a force resulting between the hydrostatic thrust of the floats, immersed in the liquid whose level must be controlled, and

the tension of a spring. This spring is precharged, when the tank is empty, by the weight of the floating elements, it discharges itself as the liquid submerges the displacers. In fact these displacers are heavier than the liquid they are immersed in, they transmit the hydrostatic thrust through the rope they are fixed on, discharging the spring on which they weigh when there is no liquid. The electric part is contained in an aluminium weather-proof case with IP 65 protection (standard type) or in a flameproof case following

the EN 50.018 (CEI 31.1) - EEx-d IIB T6 or EEx-d IIC T6 (request type) with threaded electric connection 1/2" UNI 6125 F. The level switches type IL 4 are supplied with switch groups on which only one SPDT contact is mounted. On request they can be supplied with two SPDT contacts in parallel. The IL 4 series is composed by the following models: IL 4/A - IL 4/B - IL 4/C.



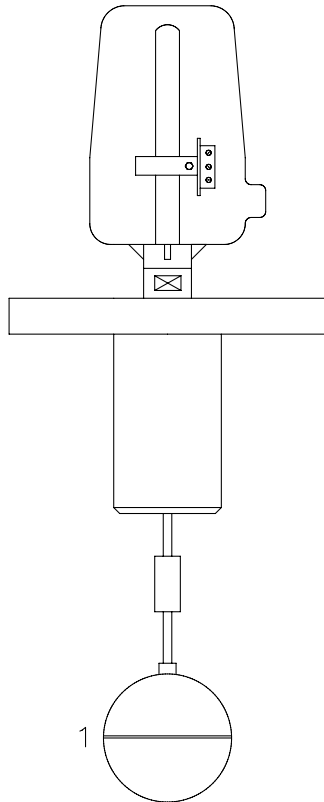


TYPE IL 4 FEATURES

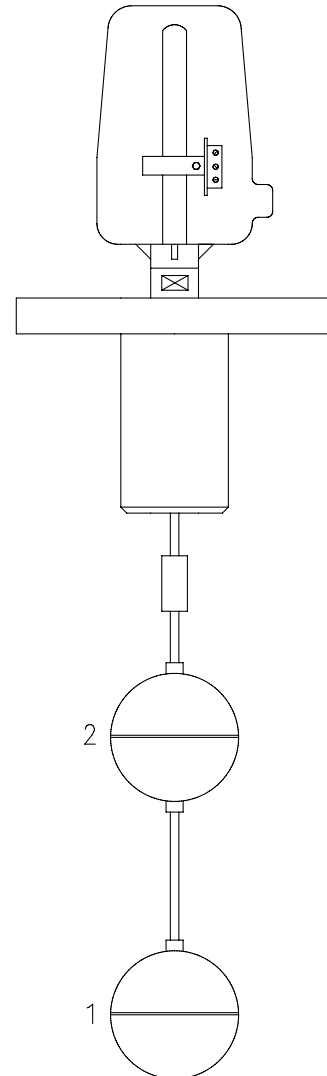
STANDARD FLANGES		DN
FLANGE ANSI B16.5 150 LB - 300LB	FLANGE UNI 2223 PN 10 - PN 25	
2" 1/2	DN65	Ø 60X100
3"	DN80	Ø 70X180
4"	DN100	Ø 90X180

BODY	Standard MAX. TEMPERATURE	MAX. TEMPERATURE with cooling fin
Carbon steel	120° C.	250° C.
S/S AISI 304	120° C.	250° C.
S/S AISI 316	120° C.	250° C.
P.V.C.	50° C.	N.P.
Polipropilene	100° C.	N.P.
P.T.F.E.	120° C.	200° C.
P.V.D.F.	120° C.	150° C.

IL 4A



IL 4B



COMPONENTS

1 DISPLACERS 1 SWITCH

Displacers supporting rope max. length: 10m.

FEATURES

50 mm. fixed differential adjustable on the whole rope length

INTERVENTION FEATURES

- It opens (or closes) for increasing level
- It closes (or opens) for decreasing level.

COMPONENTS

2 DISPLACERS 1 SWITCH

Displacers supporting rope max. length: 10m.

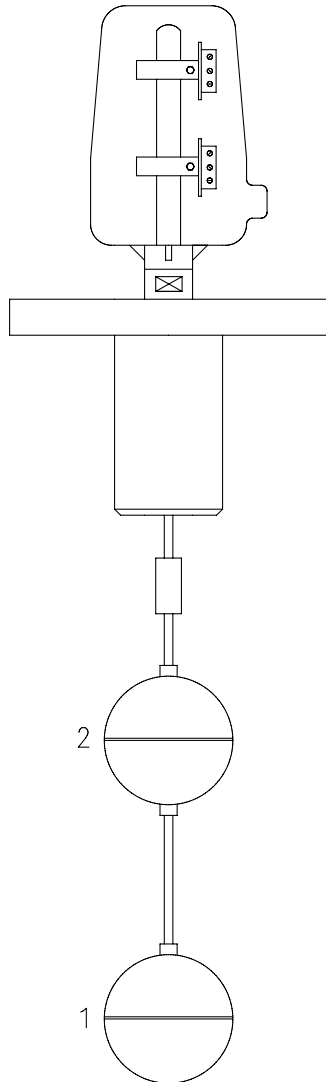
FEATURES

Differential adjustable between a 250 mm. min. value and a 9600 mm. max. value

INTERVENTION FEATURES

- It opens (or closes) for increasing level
- It closes (or opens) for decreasing level.

IL 4C



COMPONENTS

2 DISPLACERS 2 SWITCH

Displacers supporting rope max. length: 10m.

FEATURES

50 mm. fixed differential adjustable on the whole rope length

INTERVENTION FEATURES

- 2.- It opens (or closes) the upper switch for increasing level
 - It closes (or opens) the upper switch for decreasing level
- 1.- It opens (or closes) the upper switch for increasing level
 - It closes (or opens) the upper switch for decreasing level