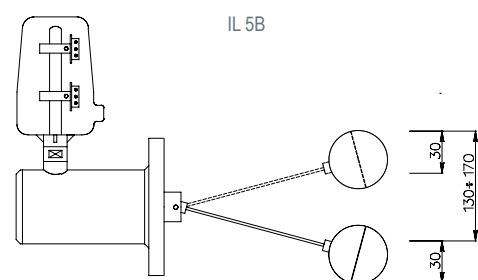
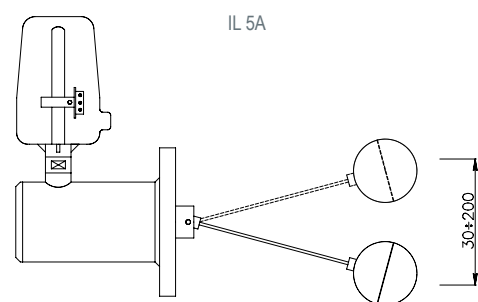
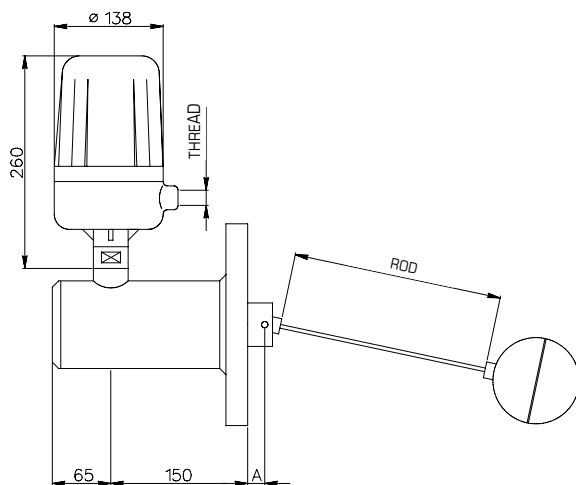


Level switches type IL 5

The level switches type IL 5 are float regulators for lateral mounting with one float and with one or two switch groups in exchange. They are suitable for the applications where there are working pressures up to 64 bar, temperatures up to 250° C. and fluids with a minimum specific gravity of 0.7 Kg/dm³. The working principle of level regulators type IL 5 is based on the magnetic connection

between the float whose rod is pivoted on a fulcrum, and the switch group in exchange. The electric part is contained in an aluminium weather-proof case with IP 65 protection (standard type) or in a flameproof case following the EN 50.018 (CEI 31.1) - EEx-d IIB T6 or EEx-d IIC T6 (request type) with threaded electric connection 1/2" UNI 6125 F.

The level switches are supplied with switch groups on which only one SPDT group is mounted. On request they can be supplied with two SPDT contacts in parallel. The IL 5 series is composed by the following models: IL 5/A - IL 5/B.





ROD	DIFFERENTIAL
100	30
150	80
200	100
250	120
300	140

TYPE	SWITCH
IL 5A	1
IL 5B	2

TYPE IL 5 FEATURES		
STANDARD FLANGES		FLOAT
FLANGE ANSI B16.5 150 LB - 300LB	FLANGE UNI 2223 PN 10 - PN 25	
3"	DN80	Ø 70x180
4"	DN100	Ø 90x180
5"	DN125	Ø 90x180

BODY	Standard MAX. TEMPERATURE	MAX. TEMPERATURE with cooling fin
Carbon steel	120° C.	250° C.
S/S AISI 304	120° C.	250° C.
S/S AISI 316	120° C.	250° C.