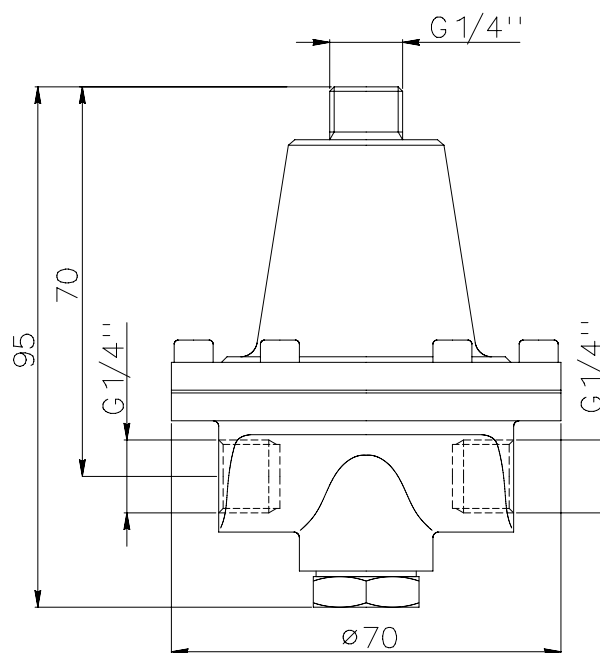




Differential pressure regulators type RD

The differential pressure regulators type RD are instruments suitable for purge applications and for bubble level measurements coupled with flowmeters type RM and LB. They can be made of AISI 316, with ISO G 1/4" F, threaded connec-

tions and they can work with temperatures up to 200° C., pressures from 2 to 8 bar and differential pressure of 1 bar minimum.



**FEATURES**

Working max. pressure	from 2 bar to 8 bar
Working max. temperature	200° C.
Differential pressure	minimum 1 bar