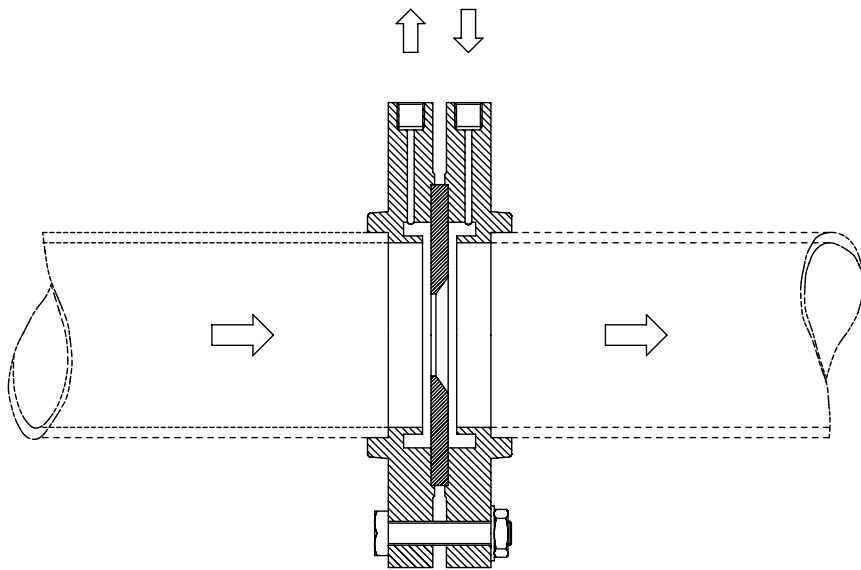
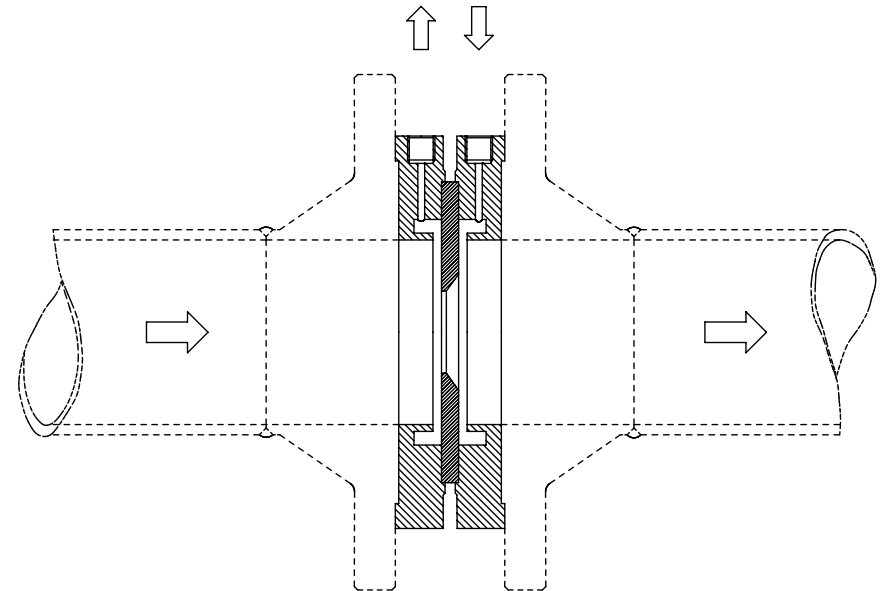




Calibrated flanges type FT



Calibrated element with ring chambers fitting pipes
from DN50 to DN400 included



Calibrated element with ring chambers obtained directly in
the flanges fitting pipes DN15, DN20, DN25, DN32
and DN40 included